



Box Trailer Brochure

2023



www.debontrailers.co.uk

C255 Box Trailer



Standard Features

- Anti-slip multiplex floor
- Galvanised steel chassis
- Combination Rear Ramp / Door
- Rear prop stands
- Tie rings x4
- Interior light
- Wheel chocks
- Spare wheel



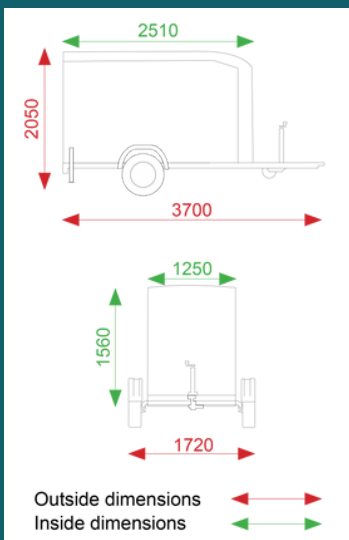
Unladen Weight
370kg
MGW
1300kg

Plywood Unbraked	£2,900+VAT
Plywood Unbraked +Side Door	£3,100+VAT
Plywood Sides	£3,100+VAT
Plywood + Side Door	£3,300+VAT
Composite Sides	£3,300+VAT
Composite + Side Door	£3,400+VAT
Aluminium Sides	£3,550+VAT
Aluminium + Side Door	£3,650+VAT

Optional Extras

Wheel Shock Absorbers

£110+VAT



Colour Options

Anthracite, Grey, Blue, White, Black



C1300 Box Trailer



Standard Features

- Pullman 2 Suspension
- Combination rear ramp/door
- Polyester Moulded Body
- Galvanised chassis
- Anti-slip multiplex floor
- Automatic jockey wheel
- Prop Stands
- Interior light
- Tie rings x4
- Wheel chocks
- Spare wheel

£4,200+VAT

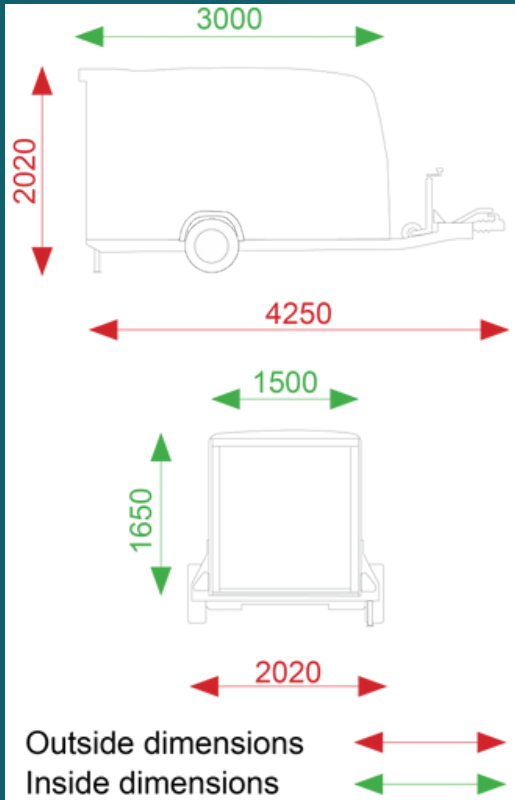
Unladen Weight
480kg

MGW
1300kg

Optional Extras

Side Access Door **£250+VAT**

Alloy Wheels **£265+VAT**



Colour Options

Anthracite, Grey, Blue, White, Black



C300 Box Trailer



Standard Features

- Pullman 2 Suspension
- Combination rear ramp/door
- One piece polyester front and roof
- Galvanised chassis
- Anti-slip multiplex floor
- Automatic jockey wheel
- Prop stands
- Interior light
- Tie rings x4
- Spare wheel and Chocks

Aluminium Sides **£4,850** +VAT

Composite Sides **£4,350** +VAT

Optional Extras

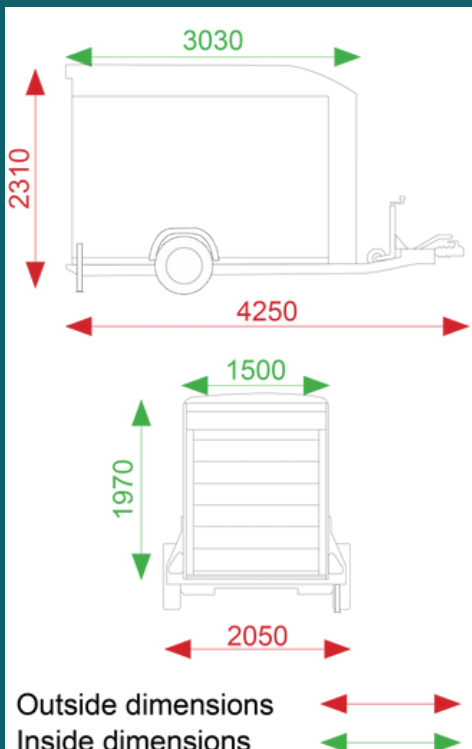
Alloy Wheels **£265**+VAT

Extra Side Door **£350**+VAT



Unladen Weight
510kg

MGW
1300kg



Colour Options

Anthracite, Grey, Blue, White, Black



C300 Box Trailer with Side Opening Hatch



Standard Features

- Pullman 2 Suspension
- Combination rear ramp/door
- White sandwich sides
- One piece polyester front and roof
- Galvanised chassis
- Anti-slip multiplex floor
- Automatic jockey wheel
- Interior light
- Tie rings x4
- Wheel chocks
- Spare wheel



Side Hatch
2530 x 1195mm

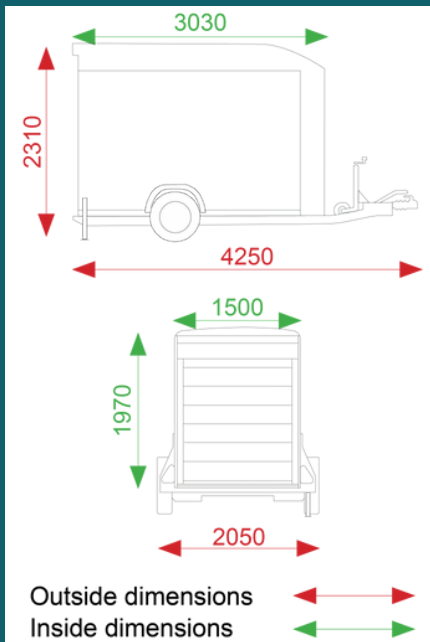
£5,550_{+VAT}

Unladen Weight
510kg
MGW
1300kg

Optional Extras

Alloy Wheels **£265_{+VAT}**

Side Door **£350_{+VAT}**



Colour Options

Anthracite, Grey, Blue, White, Black



www.debontrailers.co.uk

C400 Box Trailer



Standard Features

- Pullman 2 Suspension
- Combination rear ramp/door
- One piece polyester front and roof
- Galvanised chassis
- Anti-slip multiplex floor
- Automatic jockey wheel
- Prop stands
- Interior light
- Tie rings x4
- Wheel chocks
- Spare wheel

Aluminium Sides £5,250 +VAT

Composite Sides £4,950 +VAT

Optional Extras

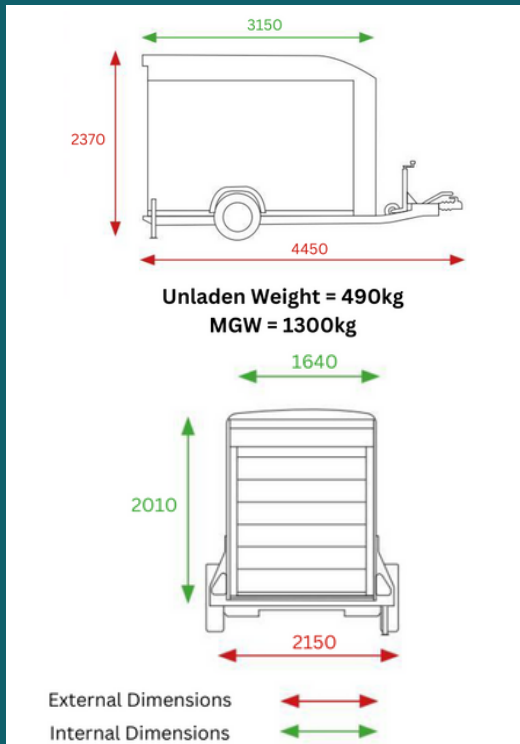
Alloy Wheels £265+VAT

Extra Side Door £350+VAT



Unladen Weight
510kg

MGW
1300kg



Colour Options

Anthracite, Grey, Blue, White, Black



C500 Box Trailer

Standard Features

- Pullman 2 Suspension
- Combination rear ramp/door
- One piece polyester front and roof
- Galvanised chassis
- Reinforced anti slip aluminium floor
- Automatic jockey wheel
- Interior light
- Tie rings x6
- Wheel chocks
- Spare wheel



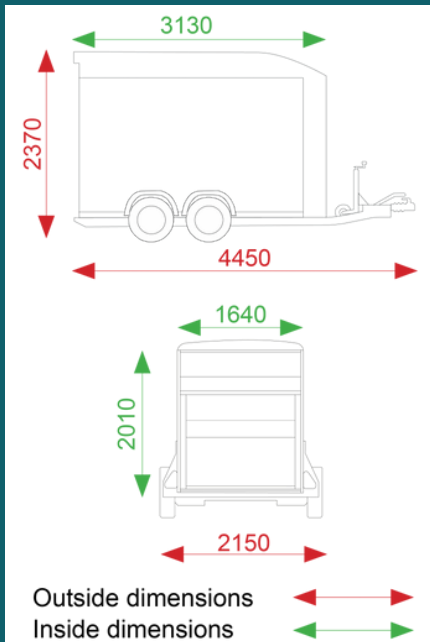
<i>Aluminium Sides</i>	<i>Composite Sides</i>
2000kg £5,350+VAT	2000kg £5,200+VAT
2600kg £5,650+VAT	2600kg £5,420+VAT

Optional Extras

- Alloy Wheels* **£525+VAT**
- Extra Side Door* **£350+VAT**

Unladen Weight
625kg

MGW
2600kg



Colour Options

Anthracite, Grey, Blue, White, Black



C500 Box Trailer with Side Opening Hatch



Standard Features

- Pullman 2 Suspension
- Combination rear ramp/door
- White sandwich sides
- One piece polyester front and roof
- Aluminium floor
- Galvanised chassis
- Automatic jockey wheel
- Interior light
- Tie rings x6
- Wheel chocks
- Spare wheel



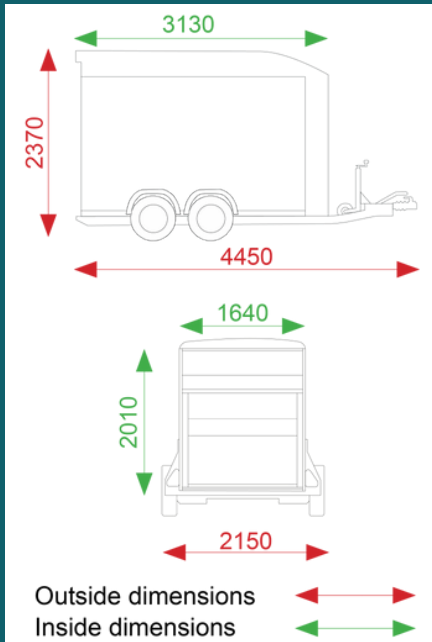
Side Hatch
2530 x 1195mm

Unladen Weight
625kg
MGW
2600kg

£6,500+VAT

Optional Extras

- Alloy Wheels* **£525+VAT**
Side Door **£350+VAT**



Colour Options

Anthracite, Grey, Blue, White, Black



www.debontrailers.co.uk

500XL Box Trailer



Standard Features

- Pullman 2 Suspension
- Combination rear ramp/door
- Reinforced anti-slip aluminium floor
- Double-skinned anodised aluminium side walls
- One piece polyester front and roof
- Galvanised chassis
- Automatic jockey wheel
- Interior light
- Tie rings x6
- Wheel chocks
- Spare wheel

Unladen Weight
665kg

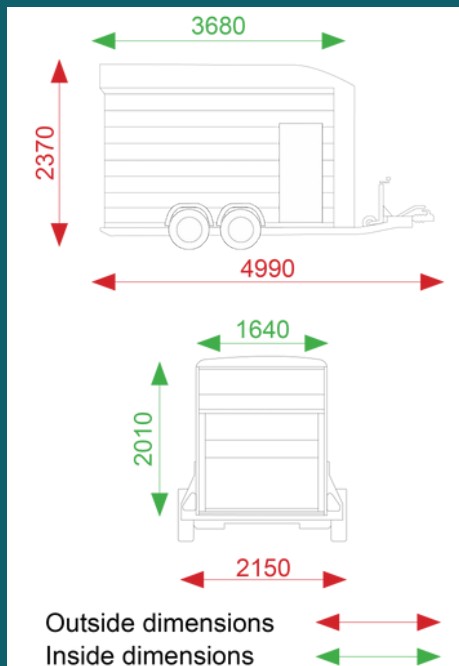
MGW
2600kg

£6,600+VAT

Optional Extras

Alloy Wheels **£525+VAT**

Extra Side Door **£375+VAT**



Colour Options

Anthracite, Grey, Blue, White, Black



www.debontrailers.co.uk

C700 Box Trailer



Standard Features

- Pullman 2 Suspension
- Reinforced combination rear ramp/door
- Double-skinned anodised aluminium walls
- One Piece polyester front and roof
- Reinforced anti-slip aluminium floor
- Galvanised chassis
- Automatic jockey wheel
- Interior light
- Tie rings x6
- Wheel chocks
- Spare wheel

£6,850+VAT

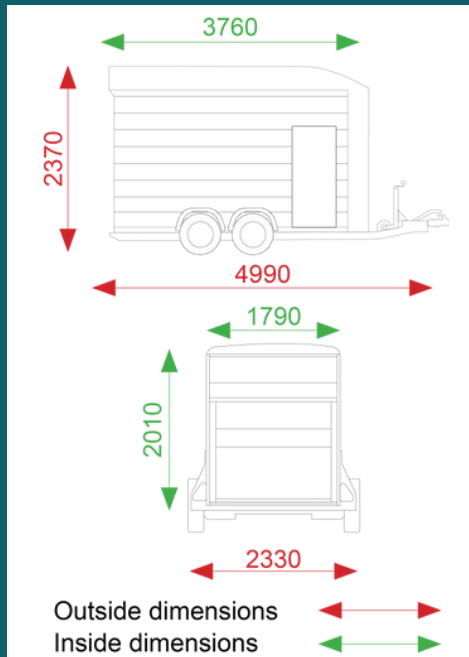
Optional Extras

Alloy Wheels **£525+VAT**

Extra Side Door **£375+VAT**

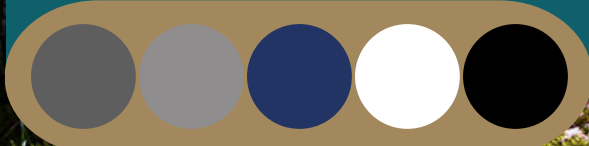
Unladen Weight
665kg

MGW
2600kg



Colour Options

Anthracite, Grey, Blue, White, Black



www.debontrailers.co.uk

C800 Box Trailer



Standard Features

- Pullman 2 Suspension
- Reinforced combination rear ramp/door
- Double-skinned anodised aluminium walls
- One Piece polyester front and roof
- Reinforced anti-slip aluminium floor
- Galvanised chassis
- Automatic jockey wheel
- Interior light
- Tie rings x8
- Wheel chocks
- Spare wheel

£9,400+VAT

With Double Lateral Doors

£9,550+VAT

Optional Extras

Additional Side Door

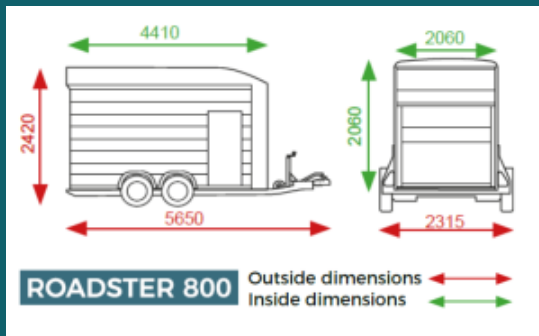
£250+VAT

Additional Lateral Doors

£300+VAT

Aero Rail **£65+VAT**

Internal Ramp **£925+VAT**



Rear Opening W1770mm x H1800mm

Colour Options

Anthracite, Grey, Blue, White, Black



Unladen Weight
1000kg

MGW
3500kg



www.debontrailers.co.uk

C900 Box Trailer

Standard Features

- Pullman 2 Suspension
- Reinforced combination rear ramp/door
- Double-skinned anodised aluminium walls
- One Piece polyester front and roof
- Reinforced anti-slip aluminium floor
- Galvanised chassis
- Automatic jockey wheel
- Interior light
- Tie rings x8
- Spare wheel & chocks

£10,000 +VAT

With Double Lateral Doors

£10,150 +VAT

Optional Extras

Additional Side Door

£250 +VAT

Additional Lateral Doors

£300 +VAT

Aero Rail

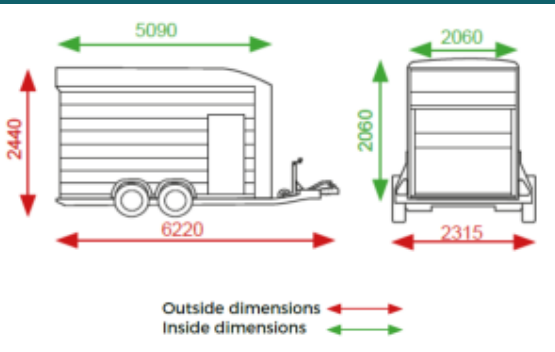
£65 +VAT

Internal Ramp 4500mm

£1250 +VAT

Debon

Unladen Weight
1100kg
MGW
3500kg



Rear Opening W1770mm x H1800mm

Colour Options

Anthracite, Grey, Blue, White, Black



www.debontrailers.co.uk

C1000 Box Trailer



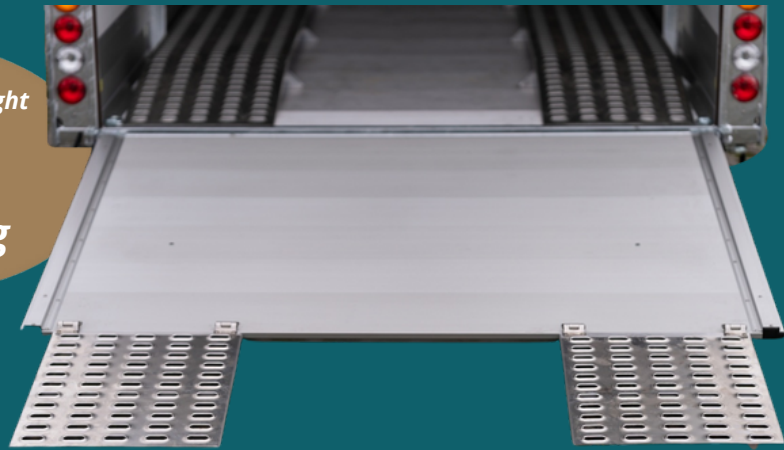
Standard Features

- Pullman 2 Suspension
- Rot-proof Sandwich Side Walls with Side Doors
- One Piece polyester front and roof
- Reinforced anti-slip aluminium floor
- Galvanised chassis
- Automatic jockey wheel
- Ramp Extensions
- Wheel Chocks
- Spare Wheel

£9,400+VAT

Unladen Weight
965kg

MGW
3500kg

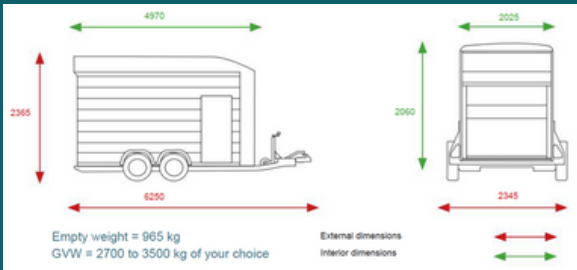


Optional Extras

Internal Ramp 4500mm **£1250**+VAT

Electric Winch **£730**+VAT

Aero Rail **£65**+VAT



Rear Opening W2050mm x H1900mm

Colour Options

Anthracite, Grey, Blue, White, Black



www.debontrailers.co.uk