



COMPACT & AMENITY PRODUCT LIST



SIMPLICITY
IS OUR
STRENGTH



✉ info@fleming-agri.com

🌐 www.fleming-agri.com

☎ UK&NI: +44 (0) 2871 342637

☎ ROI: 048 71 342637



About us

Fleming Agri Products have a long history supplying implements to the compact & amenity sectors. We have expanded our range of products to offer a complete solution for the compact & amenity sector.



THE FACTORY

With a new production facility becoming fully operational in January 2020, the Fleming factory is now a purpose-built state of the art manufacturing unit, concentrating on efficiency, quality & finish producing a value for money product for customers.

SIMPLICITY IS OUR STRENGTH

Our products have simplicity and strength as the core values with customer focused research and design carried out by our in-house design team who continually work to a standard that has the end-user's satisfaction in mind.



All new products are extensively tested throughout the design and development process to ensure the customer ends up with a quality product that offers good value for money.

Fleming Agri Products boast a highly stocked stores department, carrying parts for not only Fleming machines but also for many other brands. Our stores team are very knowledgeable and can talk you through what parts are required. All parts books are available to view on our website and we also have an online parts store where you can order your parts for delivery within 24-48 hours (depending on your location).



info@fleming-agri.com



www.fleming-agri.com

1



UK&NI: +44 (0) 2871 342637



ROI: 048 71 342637



Web & Social Media

FLEMING AGRI PRODUCTS ONLINE PRESENCE

Fleming Agri Products has a modern, up to date website to help both new and existing customers to explore the features and benefits of the Fleming machinery range and what support we can offer our dealer network and our end user customers.



Flemings has enjoyed steady growth and support on the domestic/UK market while increasing their export order book over the past few years, with deliveries to Europe, Australia and New Zealand being a regular occurrence at the site in Newbuildings. With this in mind, an easy to navigate website has been developed that includes the following features:

- **Product information & specification**
- **Video & image galleries of working Fleming products**
- **Brochures & manuals downloads**
- **Find your local dealer section**
- **Online spare parts store**

www.fleming-agri.com

Follow Fleming Agri Products at:



Fleming Agri
Products



@flemingagri



@fleming_agri



flemingagri



info@fleming-agri.com



www.fleming-agri.com

2



UK&NI: +44 (0) 2871 342637

ROI: 048 71 342637



Terms & Conditions

Terms

All quotations and orders accepted by Fleming Agri-Products Ltd are subject to the following terms and conditions of business:

Orders

All orders must be emailed to orders@fleming-agri.com

No responsibility is accepted by Fleming Agri-Products Ltd for goods supplied incorrectly if a written order is not received.

Price

As per current price list. Carriage charged per delivery not per machine. Price may be subject to surcharge due to fluctuation in currency and raw material costs.

Payment

Credit accounts are to be settled in full by the 20th day of the month following the month invoice. Overdue accounts will suspend deliveries.

Specifications

All capacities and weights in this product list are approximate. Due to our policy of constant improvement Fleming Agri-Products Ltd reserve the right to alter specifications and price without notice or consultation.

Delivery

Fleming Agri-Products Ltd accepts no liability for any delay or the consequences of any delay. The customer is responsible for providing a safe and adequate means of unloading all deliveries.

Returns

Fleming Agri-Products Ltd regret that no goods can be returned without authorisation and any such returns may be subject to a handling charge of 10% of the invoiced price.

Training

All operation manuals must be read prior to the machine being used. These will instruct the user on the correct use for the machine and the health and safety aspects.

Title

All goods shall remain the property of Fleming Agri-Products Ltd until the customer has paid in full the whole of the contract price. While the goods remain in the ownership of Fleming Agri-Products, the customer shall keep them and insure them against damage, destruction or theft for their full value and return them to Fleming Agri-Products on demand. Any proceeds of an insurance claim in this connection shall belong to Fleming Agri Products Ltd for whom the customer shall hold the same in trust. The customer is expressly prohibited from creating any mortgage, charge or other encumbrance adverse to the title of Fleming Agri-Products Ltd.

Guarantee

Equipment used by contractors is guaranteed for 6 months or one complete season. Equipment used for hire will not be covered by the guarantee unless by special arrangements with Flemings. All other new equipment sales are warranted for a period of twelve months. Our guarantees do not apply to any parts which are not of our make unless covered by those terms.

Warranty does not cover mileage, labour or replacement of consumable and wearing parts. Fleming Agri-Products Ltd shall not be liable in any circumstances for loss, injury or expense, whether direct or indirect, which may arise for any reason what so ever in connection with any goods supplied or work done by Fleming Agri-Products Ltd.

Parts only Warranty

No rectification work is to be carried out prior to notification, agreement and authorisation by Fleming Agri Products Ltd. A price must be agreed and an order number issued before proceeding.



info@fleming-agri.com



www.fleming-agri.com

3



UK&NI: +44 (0) 2871 342637



ROI: 048 71 342637



Contents

About us	1
Web & Social Media	2
Terms & conditions	3
Contents	4
Land rollers	5-6
Aerators	7-8
Grass harrows	9-10
Grass toppers	11-14
Finishing mowers	15
Flail mowers	16
Rotavators	17
Spreaders	18-20
Tipping Transport boxes	21-22
Hyd Transport boxes	23-24
Tipping trailers	25-27
Landlevellers	28
Sandman	29
Dust Suppression Tanker	30
Pallet forks	31
Loader buckets	32
Notes	33-38
Fleming staff	Back



info@fleming-agri.com



www.fleming-agri.com

4



UK&NI: +44 (0) 2871 342637



ROI: 048 71 342637



Land Rollers

Compact Land Roller

A range of compact rollers have been developed to cater for smallholders, equestrian use, parkland maintenance, sports fields and pitches suitable for tractors from 15 – 50 hp or 4 wheel drive quads/UTV's. All compact rollers are designed for ease of use and low maintenance.

- All drums are air tested & can be filled with water for extra weight
- 50mm steel shaft with hardwood bearings
- 1.25m (4ft) & 1.5m (5ft) have optional ball hitch drawbar and galvanised frames as standard
- Compact rollers have a 590mm (2ft) diameter drum with 6mm wall thickness
- 2m and 2.5m rollers have a pick-up eye & 3 point linkage for easy transport when empty. They are designed to be towed by tractors only and are not suitable for use behind quads
- Scraper blade optional



Model	Rolling width	Drum diameter	Wall thickness	Ball hitch option	Galv frame
4246	1.2m	0.59m	6mm	Yes	Yes
5246	1.5m	0.59m	6mm	Yes	Yes
66246	2m	0.59m	6mm	No	No
8246	2.5m	0.59m	6mm	No	No



info@fleming-agri.com



www.fleming-agri.com

5



UK&NI: +44 (0) 2871 342637



ROI: 048 71 342637



Land Rollers

Hydraulic Lifting Roller

- All drums are air tested & can be filled with water for extra weight
- Heavy duty 120mm structural box frame with pick up eye
- Hardwood bearings & 75mm steel shaft
- 6 stud axle with 10/75/15.3 tyres
- Unique Fleming hinged drawbar reducing stress on the frame
- Only seconds to change over to transport position
- 80 – 90hp required
- Scraper blade as standard



Model	Rolling width	Drum diameter	Wall thickness
8WK12	2.5m	0.89m	12mm
9WK12	2.7m	0.89m	12mm



info@fleming-agri.com



www.fleming-agri.com

6



UK&NI: +44 (0) 2871 342637



ROI: 048 71 342637



Aerators

5ft Model (AR5)

- Heavy duty galvanised frame complete with parking stands & weight carrying rack
- 3 point linkage
- Double sided specialised groundscares blades for easy ground entry and exit for minimal surface damage (250mm by 8mm)
- Blades fitted in a spiral for smooth, effective operation
- Replaceable chamfered boron steel blades fitted in positive location socket resulting in less stress on bolts to keep blades tight
- Chain harrow towing eye fitted
- Heavy duty 45mm bearings
- Protective bearing skirts
- Unique blade locking system



Optional roller attachment



Model	AR5
Working width (m)	1.5
HP requirement	25hp
Unladen weight (kg)	235kg
Number of blades	24



info@fleming-agri.com



www.fleming-agri.com

7



UK&NI: +44 (0) 2871 342637



ROI: 048 71 342637



Aerators

8ft (AR8) & 10ft (AR10) models

- Weight carrying rack
- Heavy duty frame
- Parking stands
- Adjustable rotor angle
- Heavy duty 3PL
- Chain harrow towing eye fitted
- Blades fitted in a spiral for smooth, effective operation (250mm by 10mm)
- Heavy duty 45mm bearings
- Protective bearing skids
- Unique blade locking system
- Replaceable, chamfered boron steel blades fitted in positive locking socket resulting in less stress on bolts to keep blades tight



Model	AR8	AR10
Working width (m)	2.5	3
Rotor angle adjustment	0-10°	0-10°
HP requirement	50	70
Unladen weight (kg)	415	518
Number of blades	42	48



info@fleming-agri.com



www.fleming-agri.com

8



UK&NI: +44 (0) 2871 342637



ROI: 048 71 342637



Grass Harrows

Trailed Grass Harrows

- Excellent for pasture regeneration, breaking up and levelling heavy soil
- Stimulates growth by aerating and loosening thatch
- Excellent for ripping out moss, spreading manure, and levelling mole hills
- Creates good root aeration for better water infiltration and growth
- Works in fertiliser to both spread and maximise effectiveness
- Ideal of surface levelling in equestrian centres, sand ménages, gallops, tracks
- Strong, robust design ensures long life and minimum maintenance
- 64mm x 13mm boron steel mat and tine
- The mat is operated at a 5° angle to ensure complete scarifying effect (no tracking)



Code	GH4	GH6	GH8	GH10	GHL12
Width	1.2m	1.8m	2.5m	3m	3.7m
Length	2m	2m	2m	2m	2m
Tine length	64mm x 13mm	64mm x 13mm	64mm x 13mm	64mm x 13mm	64mm x 13mm
HP	15	25-30	30-45	30-50	50-65
Mat weight	50kg	75kg	100kg	125kg	150kg

✉ info@fleming-agri.com

🌐 www.fleming-agri.com

9

☎ UK&NI: +44 (0) 2871 342637

☎ ROI: 048 71 342637

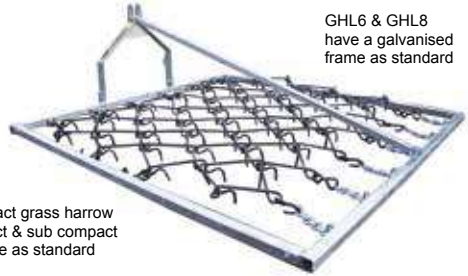


Grass Harrows

Mounted Grass Harrows



GH6C
 Mounted, compact grass harrow
 Ideal for compact & sub compact
 with cat.1 linkage as standard



GH8 & GH6
 have a galvanised
 frame as standard

- Our mounted grass harrows are ideal for pasture regeneration, breaking up & levelling heavy soil and grass stimulation
- The mat is operated at a 5° angle to ensure complete scarifying effect (no tracking)
- Strong, robust design ensures long life and minimum maintenance
- 64mm x 13mm boron steel mat and tine
- Mounted chain harrows are easy to fold manually



Code	GH6C	GH6	GH8	GH10	GH12	GH14	GH16
Width	2.2m	2.2m	2.5m	3m	3.6m	4.25m	5.25m
Length	1.67m	2.15m	2.15m	2.15m	2.15m	2.15m	2.15m
Tine length	64mm x 13mm	64mm x 13mm	64mm x 13mm	64mm x 13mm	64mm x 13mm	64mm x 13mm	64mm x 13mm
HP	20-30	20-30	30-30	30-50	50-65	50-75	70-85
Total weight	120kg	120kg	195kg	250kg	300kg	350kg	400kg

✉ info@fleming-agri.com
 🌐 www.fleming-agri.com

10

☎ UK&NI: +44 (0) 2871 342637
 ☎ ROI: 048 71 342637



Grass Toppers

In-line and Semi Offset

- Reinforced deck, fabricated in one piece from 3mm steel plate
- Reinforced structural frame across the body of the topper for absolute rigidity
- Galvanised headstock and skids for longer life
- Double jaw support lift arm brackets on TOP6
- Cat 1 pins on TOP3, TOP4 & TOP5
- Cat 1 & Cat 2 pins on TOP6
- TOP6 - Semi offset only
- Comer gearbox and boron steel blade carrier
- Adjustable headstock for in-line and semi-offset on TOP3, TOP4 and TOP5 models
- Shear bolt protected PTO shaft & convex skids
- Wheel option available for TOP4 and TOP5



Code	TOP3	TOP4	TOP5	TOP6
Tractor HP req'd	13	20	30	40
Transport width	1.17m	1.4m	1.65m	1.82m
No. of rotors	1	1	1	1
No. of blades	2	2	2	2
No. of gearbox	1	1	1	1
Gearbox rating	30hp	30hp	30hp	40hp
Weight	170kg	202kg	246kg	323kg



info@fleming-agri.com



www.fleming-agri.com

11



UK&NI: +44 (0) 2871 342637



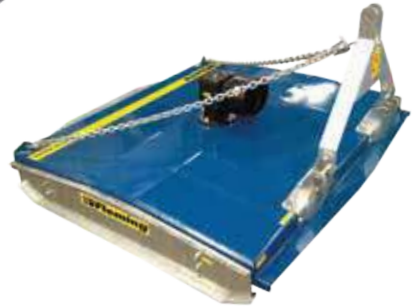
ROI: 048 71 342637



Grass Toppers

Heavy Duty 6ft Topper

- Heavy duty semi-offset or in-line grass topper (6ft)
- Cat 2 pins
- 80hp gearbox
- Shear bolt protection
- Heavy duty reinforced deck
- Galvanised skids and A frame
- Ideal for clearing heavy rushes and bracken
- Heavy duty, boron steel blade carrier with high performance blades
- Smooth top deck (no water traps)
- Optional chain rotor



Model	HP	Transport width	Rotors	Blades	Gearbox	Gearbox rating	Weight
TOP6HD	90	1.8m	1	4	1	80hp	382kg



info@fleming-agri.com



www.fleming-agri.com

12



UK&NI: +44 (0) 2871 342637



ROI: 048 71 342637



Grass Toppers

9ft In-line Topper

- Deck Fabricated from 3mm steel plate with a reinforced structural frame across the topper body for rigidity
- H.D galvanised chain support for secure transport
- Floating headstock and reinforced 4mm sides with convex galvanised skids gives constant ground contact and even cut
- Gearbox and rotors mounted on one piece HD central base plate with indestructible HD boron steel blade carriers
- HD 55hp Comer gear box with straight drive-line protected by rubber couplings
- PTO over-run and shear bolt protection against rotor impact
- Optional rear roller to produce quality striped finish



Super 900 model

TOP9INH & TOP9HDOF (2.7m) 9ft heavy duty models (For heavy vegetation)

- Fitted with 75hp gear boxes
- HD flexible knuckle drive line protected by rubber couplings
- Fitted with fluted blades with additional straight blades for mulching effect when cutting

Model	HP	Transport width	Rotors	Blades	Gearbox	Gearbox rating	Weight
TOP9	70	2.74m	2	4	3	55hp	494kg
TOP9INH	80	2.74m	2	8	3	75hp	500kg
TOP9HDOF	80	2.74m	2	8	3	75hp	500kg



info@fleming-agri.com



www.fleming-agri.com

13



UK&NI: +44 (0) 2871 342637

ROI: 048 71 342637



Grass Toppers

4ft Power Topper

TOP4P

- Double belt drive
- Electric start
- Removable jack
- Galvanised for long life
- Half round skids
- Heavy duty reinforced deck
- Wheel size: 15x6-6
- 20hp Honda GXV630 engine (2 year warranty)
- 1.2m cutting width with simple height adjustment
- Drawbar can be offset to either side with 5 different positions for hard to reach areas
- Boron steel rotor with hardened, free floating blades
- Suitable for towing behind ATV's, quads or 4x4



Model	HP	Transport width	Cutting width	Rotors	Blades	Wheels
TOP4P	20	1.3m	1.2m	1	2	15x6-6



info@fleming-agri.com



www.fleming-agri.com

14



UK&NI: +44 (0) 2871 342637



ROI: 048 71 342637

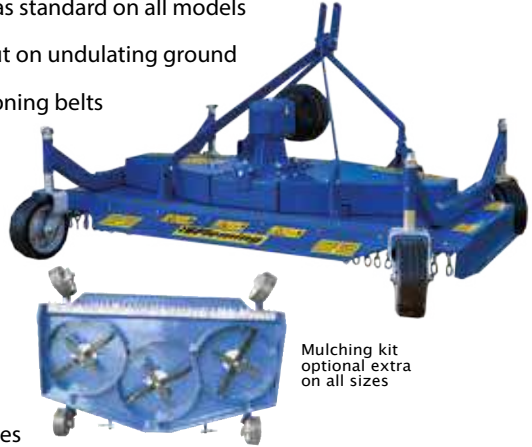


Finishing Mowers

Finishing Mowers

FM120 (4ft), FM150 (5ft), FM180 (6ft), FM230 (8ft)

- All mowers have simple adjustable cutting height of 25mm-100mm (1-4")
- Heavy duty chain guard protection as standard on all models
- Floating top link to allow for even cut on undulating ground
- Heavy duty gearbox with self-tensioning belts
- Low horse power requirement
- Easy to access greasing points
- Hard wearing hardened steel blades
- Cat 1 lift pins
- Heavy duty PTO shaft
- 5 blades on FM230
- Mulching kit optional extra on all sizes



Mulching kit optional extra on all sizes



Model	FM120	FM150	FM180	FM230
Cutting width	48"	60"	72"	90"
Cutting height	1" - 4"	1" - 4"	1" - 4"	1" - 4"
No. of blades	3	3	3	5
HP req'd	12 - 20	15 - 30	20 - 40	30 - 60
3PL hitch	Cat 1	Cat 1	Cat 1	Cat 1
Weight (kg)	170	200	228	315
Wheels	210 x 80	210 x 80	210 x 80	210 x 80



info@fleming-agri.com



www.fleming-agri.com

15



UK&NI: +44 (0) 2871 342637

ROI: 048 71 342637



Flail Mower

Flail Mowers

- Rotor electronically balanced
- Hydraulic side shift on some models
- Series -5 PTO shaft
- Adjustable rear roller
- Adjustable skids
- Cat 1 & 2 linkage
- Fitted with diffusers as standard
- Belts mounted externally
- Central gearbox equipped with free wheel clutch (540RPM)

Models available:

- TOPF100 - TOPF160
- TOPF130 - TOPF175
- TOPF145 - TOPF205
- TOPF250



Model	Overall width (cm)	Working width (cm)	HP required	Weight (kg)
TOPF100	115	100	30	300
TOPF130	145	130	40	366
TOPF145	162	145	45	388
TOPF160	177	160	50	412
TOPF175	192	175	55	434
TOPF205	222	205	60	482
TOPF250	270	248	100	465



info@fleming-agri.com



www.fleming-agri.com

16



UK&NI: +44 (0) 2871 342637

ROI: 048 71 342637



Rotavators

UL Details:

- Gear driven side transmission
- Series 4 PTO with slip clutch
- Adjustable lower hitch brackets
- CE safety guards
- 6 blades per ring
- Adjustable skids
- Max working depth 165mm
- Rotor diameter 70mm
- Parking stands
- Fitted with 158x115x6mm curved blades



Model	Tilling width	Overall dimensions	HP	Number of discs	Number of blades	Weight
UL42	1050mm	1194x804x600mm	20hp	5	30	167kg
UL48	1200mm	1340x804x600mm	25hp	6	36	180kg
UL60	1500mm	1645x804x600mm	40hp	7	42	200kg



UH Details:

- Gear driven side transmission
- Series 6 PTO with slip clutch
- Adjustable lower hitch brackets
- CE safety guards
- Adjustable skids
- Fitted with 6 blades per ring
- Cat. 1 and Cat. 2 linkage
- Max working depth 190mm
- Rotor diameter 89mm
- Fitted with 190x108x7mm curved blades
- Parking stands



Model	Tilling width	HP	Number of discs	Number of blades	Weight
UH72	1900mm	50-65hp	7	42	390kg
UH84	2140mm	50-65hp	9	54	455kg



info@fleming-agri.com



www.fleming-agri.com

17



UK&NI: +44 (0) 2871 342637



ROI: 048 71 342637



Spreaders

Trailed Spreader

FSC180T

The Fleming trailed fertiliser spreader is designed for spreading granulated fertiliser and dried salt. It is ideal for towing behind small tractors, garden vehicles and other compact machines such as quads which do not have a PTO.

A very versatile machine, well suited for use on green areas, gardens, equestrian and hobby small holdings. It can be fitted with a salt spreading kit for use in winter for keeping roads, driveway, car parks etc clear from frost and snow.

- 4 adjustable spreading fins for even distribution of material
- Spreading disc and fins made from stainless steel for longer life
- Ground driven
- Robust plastic hopper
- 50mm ball hitch
- Optional agitator
- Optional cover



Attachment available for spreading dry salt & sand (Not suitable for rock salt)



Model	Load capacity (L)	Spreading width	Weight	Number of fins
FSC180T	213	6m	80kg	4



info@fleming-agri.com



www.fleming-agri.com

18



UK&NI: +44 (0) 2871 342637



ROI: 048 71 342637



Spreaders

Single Disc Fertiliser Spreader

The Fleming single disc fertiliser spreader (spinner) has been designed as a value for money machine for spreading granulated fertiliser and dried salt. A very versatile unit, well suited for use on smaller tractors for a cost effective means of spreading granulated fertiliser on equestrian and small holdings, as well as larger, undulating grassland and hill farms. Can be fitted with a salt spreading kit for use in winter for keeping roads, drives, car parks etc clear from frost and snow.

The Fleming single disc spreader come in 2 models:

- FS300
- FS500

- 4 adjustable spreading fins for even distribution of material
- Spreading disc and fins made from stainless steel for longer life
- Cat 1 lift arm pins
- Optional agitator
- Optional cable control shut off
- Attachment available for spreading dry salt and sand (Not suitable for rock salt)
- Optional cover



Model	Load capacity (L)	Spreading width	Height	Weight
FS300	315	6m – 10m	1.05m	54kg
FS500	450	6m – 10m	1.13m	60kg

✉ info@fleming-agri.com

🌐 www.fleming-agri.com

19

☎ UK&NI: +44 (0) 2871 342637

☎ ROI: 048 71 342637



Spreaders

Wagtail (Pendulum) Fertiliser Spreaders

The Fleming wagtail (pendulum) fertiliser spreaders have been designed for spreading granulated fertiliser. The wagtail spreader is an extremely versatile machine, suited for use on smaller tractors as well as a cost effective means of spreading large volumes of granulated fertiliser. The Fleming wagtail spreader comes in 2 main sizes: the FSW500 which can be fitted with extension sides up to 600 litres and the FSW800 which can be fitted with extension sides up to 1400 litres.

Wagtail model options include:

- FSW500
- FSW600
- FSW800
- FSW1000
- FSW1250
- FSW1400



- Fibre glass, reinforced hopper which does not rust or deteriorate
- Variable spreading widths from 6m - 12m
- Parts are compatible with other makes of spreaders
- Optional hydraulic shut off
- Optional dry salt spreader attachment



Model	Load capacity (L)	Max height	Spreading width	Weight
FSW500	500	1.000m	6 - 12m	130kg
FSW600	600	1.035m	6 - 12m	155kg
FSW800	800	1.070m	6 - 12m	175kg
FSW1000	1000	1.200m	6 - 12m	178kg
FSW1250	1250	1.300m	6 - 12m	190kg
FSW1400	1400	1.350m	6 - 12m	195kg



info@fleming-agri.com



www.fleming-agri.com

20



UK&NI: +44 (0) 2871 342637



ROI: 048 71 342637



Transport Boxes

Compact Tipping Transport Boxes

TB4C, TB5C

For light use for small holders, parkland & sports pitch maintenance

- Suitable for all compact and sub compact tractors
- Solid construction from 3mm reinforced steel plate
- Independent hitch mechanism
- Double jaw lift arm pin support
- Easy to remove back door
- Cat 1 pins supplied
- Maximum load for TB4C (120kg)
- Maximum load for TB5C (140kg)



Model	Weight (kg)	Width (mm)	Height (mm)	Depth (mm)	Capacity (m ³)	Max HP	Body material (mm)	Lift pin
TB4C	81	1260	340	590	0.24	40	3	cat.1
TB5C	90	1510	340	590	0.30	40	3	cat.1



info@fleming-agri.com



www.fleming-agri.com

21



UK&NI: +44 (0) 2871 342637



ROI: 048 71 342637



Transport Boxes

Standard Tipping Transport Boxes

TB4, TB5

- To suit tractors from 20-65 hp
- Solid construction from 3mm reinforced steel plate
- Double jaw lift arm pin support
- Robust independent tipping hitch mechanism
- Easy to remove back door
- Cat 1 lift pins supplied
- Maximum load for TB4 - 160kg
- Maximum load for TB5 - 200kg



Heavy Duty 6ft Tipping Box HD6

HD6

Designed for a more heavy duty workload such as moving stones, gravel, soil etc. Ideal for higher horse power tractors but still remains a low cost, value for money product for getting the job done.



- To suit tractors from 65-100 hp
- Solid construction from 5mm reinforced steel plate
- Heavy duty independent tipping hitch mechanism
- Cat 2 lift pin supplied
- Maximum load for HD6 - 500kg



Model	Weight (kg)	Width (mm)	Height (mm)	Depth (mm)	Capacity (m ³)	Max HP	Body material (mm)	Lift pin
TB4	128	1260	510	780	0.42	50	3	cat.1
TB5	138	1510	510	780	0.51	60	3	cat.1
HD6	241	1830	510	780	0.61	90	5	cat.2



info@fleming-agri.com



www.fleming-agri.com

22



UK&NI: +44 (0) 2871 342637

ROI: 048 71 342637



Transport Boxes

Hydraulic Compact Transport Boxes

HYD4C, HYD5C

- Internal reinforcing shoes tie the strength of the floor to the cross beams on the back of the box creating a solid back plate to absorb the force of the tractor. The reinforcing shoes have smooth rounded edges for easy unloading and cleaning
- The heel of the box is fitted with a scraping blade, supported by the floor skids further adding reinforcing strength to the back of the box and giving the capability of grading and levelling stones, sand, soil etc. Suitable for all compact and sub compact tractors
- Solid construction from 3mm reinforced steel plate
- Robust hydraulic loading & tipping hitch mechanism
- Heavy duty double acting ram
- Requires double acting spool valve
- Range of 3pl settings to suit most tractors
- Double jaw lift arm pin support
- Cat 1 lift pins supplied



Model	Weight (kg)	Width (mm)	Height (mm)	Depth (mm)	Capacity (m ³)	Max HP	Body Material (mm)	Lift pin
HYD4C	129	1260	510	640	0.34	50	3	Cat.1
HYD5C	140	1510	510	640	0.43	55	3	Cat.1

✉ info@fleming-agri.com

🌐 www.fleming-agri.com

23

☎ UK&NI: +44 (0) 2871 342637

☎ ROI: 048 71 342637



Transport Boxes

Hydraulic Transport Boxes

- Internal reinforcing shoes tie the strength of the floor to the cross beams on the back of the box creating a solid back plate to absorb the force of high horse power tractors
- The 5mm (6mm on HYD7) thick folded form of the box has 2 internal reinforcing beams across the back of the body eliminating any flexing when the box is under heavy load. The heel of the box is fitted with a scraping blade, supported by the floor skids further adding reinforcing strength to the back of the box and giving the capability of grading and levelling stones, sand, soil etc
- Suitable for tractors from 45-130 hp
- Solid construction of reinforced steel plate
- Requires double acting spool valve
- Heavy duty double acting ram
- Double jaw lift arm pin support
- Cat 2 lift arm pins
- Range of 3pl settings to suit most tractors
- Heavy duty hydraulic loading & tipping hitch mechanism
- Reinforced floor and nose plate for loading and scraping



Model	Weight (kg)	Width (mm)	Height (mm)	Depth (mm)	Capacity (m ³)	Max HP	Body material (mm)	Lift pin
HYD5	267	1510	610	930	0.54	80	5	Cat.2
HYD6	296	1830	610	930	0.66	100	5	Cat.2
HYD66	311	2000	610	930	0.72	100	5	Cat.2
HYD7	380	2170	610	930	0.78	130	6	Cat.2



info@fleming-agri.com



www.fleming-agri.com

24



UK&NI: +44 (0) 2871 342637



ROI: 048 71 342637



Tipping Trailers

TR1 & TR2 Tipping Trailers

- All sides are removable
 - Parking jack as standard
 - High tip for clean unloading
 - Reinforced floor and side chimes fabricated in one piece for extra strength
 - Reinforced sides and hinge points
 - Structural steel chassis with 5 stud axle
 - TR1 - 1500kg capacity
 - TR2 - 2000kg capacity
- Optional galvanised mesh sides & full back door



Model	Body length	Width	Floor thickness	Sides height (cm)	Loading height to trailer floor (cm)	Loading height to top of sides (cm)
TR1	1.91m (6ft3")	1.2m (4ft)	2.5mm	32cm	68cm	100cm
TR2	2.6m (8ft5")	1.37m (4ft6")	3mm	36cm	80cm	117cm

Model	Lights	Brakes	Unladen weight	Cubic capacity (m ³)	Wheel size standard	Wheel size optional
TR1	NO	NO	347kg	0.74	23/10.5/12	N/A
TR2	Optional	Optional	496kg	1.16	10/80/12	26/12/12.5

Optional Extras

Model	Side height with mesh sides (cm)	Cubic capacity with mesh sides (m ³)
TR1	62	1.36
TR2	64	2.06



info@fleming-agri.com



www.fleming-agri.com

25



UK&NI: +44 (0) 2871 342637



ROI: 048 71 342637



Tipping Trailers

TR4 & TR6 Tipping Trailers

- Reinforced sides and hinge points
- High tip for clean unloading
- Hydraulic brakes & lights as standard
- Lights fitted in protective channel
- Slim-line reinforced draw-bar with hose and cable stand as standard
- All 4 sides are removable and are fabricated in one piece (no water traps)
- 4mm reinforced floor and side chimes fabricated in one piece for extra strength
- Handbrake as standard
- Galvanised mesh sides optional
- Extension sides/door optional



TR4 Trailer

- 4000kg capacity
- Size 3m x 1.9m x 0.56m (10ft x 6ft 3" x 22")

TR6 Trailer

- 6000kg capacity
- Size 3.7m x 2.15 x 0.56m (12ft3 x 7ft x 22")



Optional mesh sides



Model	Body length	Width	Floor thickness	Sides height (cm)	Loading height to trailer floor (cm)	Loading height to top of sides (cm)
TR4	3m (10ft)	1.9m (6ft3")	4mm	56cm	97cm	153cm
TR6	3.76m (12ft3")	2.15m (7ft)	4mm	56cm	100cm	156cm

Model	Lights	Brakes	Unladen weight	Cubic capacity (m ³)	Wheel size standard	Wheel size optional
TR4	YES	YES	975kg	2.94	10/75/15.3	11.5/80/15.3
TR6	YES	YES	1464kg	4.2	12.5/80/15.3	400/16/15.5

Optional Extras

Model	Cubic capacity with extension sides (m ³)	Side height with extension sides (cm)	Side height with mesh sides (cm)
TR4	5.88	112cm	112cm
TR6	8.38	112cm	112cm



info@fleming-agri.com



www.fleming-agri.com

26



UK&NI: +44 (0) 2871 342637



ROI: 048 71 342637



Tipping Trailers

TR8 Trailer

- Ideal general purpose trailer with a large capacity of 8000kg
- Half sides for easy fitting, all sides of the trailer are removable
- High tip for clean unloading
- Lights fitted in protective channel
- Hydraulic brakes & lights and reflective triangles as standard
- HD 180mm structural chassis with 12.5/80 – 15.3 tyres as standard on 6 stud axles
- Tandem HD parabolic spring suspension for smooth working operation and longer maintenance free operation
- Slim line reinforced drawbar with hose, cable stand and galvanised parking shoe
- Handbrake as standard
- Optional extension sides
- Optional bale extension – 900mm
- 4m x 2.15m x 0.56m (13ft2 x 7ft x 22")



Optional extension sides



Model	Body length	Width	Floor thickness	Sides height (cm)	Loading height to trailer floor (cm)	Loading height to top of sides (cm)
TR8	4m (13ft2")	2.15m (7ft)	4mm	56cm	106cm	162cm

Lights	Brakes	Unladen weight	Cubic capacity (m ³)	Wheel size standard	Wheel size optional
YES	YES	2200kg	4.82	12.5/80/15.3	400/16/15.5

Model	Cubic capacity with extension sides (m ³)	Side height with extension sides (mm)	Trailer length with bale extension (cm)
TR8	9.64	112cm	530cm

Options

✉ info@fleming-agri.com

🌐 www.fleming-agri.com

27

☎ UK&NI: +44 (0) 2871 342637

☎ ROI: 048 71 342637



Land Levellers

LL5

- 20–30hp
- Fully galvanised
- For horticultural and parkland use
- Cat 1 pins
- Four 60mm x 60mm by 6mm blades
- Reversible head stock for option of smooth pass
- 3 aggressive blades and 1 reversed for smooth finish



Model	LL5
Reversible	Yes
Width	1.5m
Length	0.9m
Weight	70kg
HP	20
Lift pins facility	Cat .1
Rigid/Folding	Rigid



LL8

- 35–75hp
- Cat 2 lift pins
- Double jaw lift arm support
- Galvanised headstock support
- 3 aggressive blades and 1 reversed for smooth finish
- Four 80mm x 80mm by 8mm blades
- Reversible galvanised head stock



Model	LL8
Reversible	Yes
Width	2.4m
Length	1.53m
Weight	150kg
HP	35
Lift pins facility	Cat 2
Rigid/Folding	Rigid



info@fleming-agri.com



www.fleming-agri.com

28



UK&NI: +44 (0) 2871 342637

ROI: 048 71 342637



Sandman

Sandman (SM)

The Fleming Sandman is for loosening and levelling even the most crusted horse paddocks and riding arenas in one pass to leave a firm level surface to an even depth. The arena conditioner fits on to the three point linkage with the levelling bar depth set by the top link of the tractor. The sprung steel tines have their own independent depth control so that the underlying membrane isn't damaged. The Sandman can be also be towed by a quad by fitting a simple attachment.

- Three point linkage with cat 1 lift pins
- The independent depth control protects any underlying membrane
- Optional drawbar for quad attachment
- 12 sprung steel tines
- Reversible tine points for added life
- Pneumatic tyres for smooth operation
- Rear levelling bar leaves a smooth, even arena
- Long life / low maintenance
- Overall width of 2.1m



info@fleming-agri.com



www.fleming-agri.com

29



UK&NI: +44 (0) 2871 342637



ROI: 048 71 342637



Dust Suppression Tanker

Fleming Dust Suppression Vacuum Tankers

Fleming manufacture a range of simple but effective vacuum tankers which can be fitted with several low cost, user friendly options for dust suppression applications in quarries, construction sites and other civil engineering projects.

- Galvanised quick attach spreader bar

This attachment clips straight onto the back outlet of the tanker and maintains a constant width of spread for efficient dust suppression of roadways.



- Pressure operated rain gun on hydraulic revolving turret

A directional water cannon suitable for damping down stockpiles of aggregate or banked areas where access is an issue. The cannon is fed by pressure from the tankers' vacuum pump providing a very simple system. The jet is directed by a hydraulic revolving turret from the tractor cab through a double acting spool valve.



- Hydraulic driven pump

This eliminates the need for a PTO shaft providing ultimate safety protection for the operator while also enabling the ability to maintain a constant drive to the pump even when cornering without the risk of driveline damage.



info@fleming-agri.com



www.fleming-agri.com

30



UK&NI: +44 (0) 2871 342637



ROI: 048 71 342637



Pallet Forks

Pallet Forks

FLF20

- Euro brackets fitted as standard
- 1.2m x 80mm x 40mm hardened steel toes
- High safety factor
- Full load test compliant
- Reinforced heel for longer life
- Removable fork toes
- Heavy duty clear view German forged industrial suspension frame
- FLF20 – 2000 kg capacity



info@fleming-agri.com



www.fleming-agri.com

31



UK&NI: +44 (0) 2871 342637



ROI: 048 71 342637



Front Loader Buckets

Front Loader Bucket

1.5m (FLB5)
1.8m (FLB6)
2.1m (FLB7)

- The Fleming front loader buckets are made from high quality material to the highest standards for tractors
- Reinforced bracing on internal back wall of the bucket which provides extra support to the hitching mechanism
- Complete body of both the 5ft and 6ft models are manufactured from 5mm plate
- 6mm plate on body of 7ft model
- Computer aided design allows for good clear tipping emptying at high levels
- Reinforced floor and hardox nose blade
- Reinforcing bracing on internal back wall of the box providing support to the hitching mechanism



2.1m (FLB7)

Model	Weight (kg)	Width (mm)	Height (mm)	Depth (mm)	Capacity (m ³)	Max HP	Thickness (mm)	Weight (kg)
1.5m (FLB5)	192	1530	680	790	0.47	60	5	192
1.8m (FLB6)	215	1860	680	790	0.57	90	5	215
2.1m (FLB7)	262	2160	680	790	0.66	100	6	254



info@fleming-agri.com



www.fleming-agri.com

32



UK&NI: +44 (0) 2871 342637



ROI: 048 71 342637



Notes

Large empty white space for taking notes, framed by a yellow border.



info@fleming-agri.com



www.fleming-agri.com

33



UK&NI: +44 (0) 2871 342637



ROI: 048 71 342637



Notes

A large, empty white rectangular area for taking notes, framed by a yellow border.



info@fleming-agri.com



www.fleming-agri.com

34



UK&NI: +44 (0) 2871 342637

ROI: 048 71 342637



Notes

Large empty white space for taking notes, framed by a yellow border.



info@fleming-agri.com



www.fleming-agri.com

35



UK&NI: +44 (0) 2871 342637

ROI: 048 71 342637



Notes

A large, empty white rectangular area intended for taking notes, framed by a yellow border.



info@fleming-agri.com



www.fleming-agri.com

36



UK&NI: +44 (0) 2871 342637

ROI: 048 71 342637



Notes

A large, empty white rectangular area intended for taking notes, framed by a yellow border.



info@fleming-agri.com



www.fleming-agri.com

37



UK&NI: +44 (0) 2871 342637

ROI: 048 71 342637



Notes

A large, empty white rectangular area intended for taking notes, framed by a yellow border.



info@fleming-agri.com



www.fleming-agri.com

38



UK&NI: +44 (0) 2871 342637



ROI: 048 71 342637

MEET OUR TEAM



George Fleming
Chairman
george@fleming-agri.com



Jonathan Lecky
Managing Director
jonathan@fleming-agri.com



John Fleming
Multimedia Designer
john@fleming-agri.com



Alison Duncan
Marketing Manager
alison@fleming-agri.com



Raymond Gibson
Factory Manager/Director
raymond@fleming-agri.com



Peter Riddles
Design Engineer
peterriddles@fleming-agri.com



Graeme Parke
Pre-production Co-Ordinator
graeme@fleming-agri.com



David Nutt
Stores/Spare Parts
Tel: +44 (0) 7769 173439
david@fleming-agri.com



Norma McBrine
Reception/Sales
norma@fleming-agri.com



Dessie Shields
Transport Manager
dessie@fleming-agri.com



Maggie McCartney
HR/Health & Safety Officer
hr@fleming-agri.com



David Meban
Sales Director
(Sales SW Eng & S Wales)
Tel: +44 (0) 7794018020
davidmeban@fleming-agri.com



Bryan Hunter
(Sales Ireland)
NI Tel: +44 (0) 7967721606
Rep of Ire Tel: 01 5267419
bryan@fleming-agri.com



David Watters
(Sales Scot, N Eng & N Wales)
Tel: +44 (0) 7944682304
davidwatters@fleming-agri.com



Adrian Brown
(Sales: Central & SE England)
Tel: +44 (0) 7778128054
adrianbrown@fleming-agri.com



Gareth Walker
(Office/Export Sales)
Tel: +44 (0) 7557782872
gareth@fleming-agri.com

Contact sales executive on Mobile Numbers



UK&NI: +44 (0) 2871 342637
ROI: 048 71 342637



info@fleming-agri.com



Newbuildings Industrial Estate,
Newbuildings, Northern Ireland,
BT47 2SX

www.fleming-agri.com